

# FIGURES FOR "AMBIENT VISION"

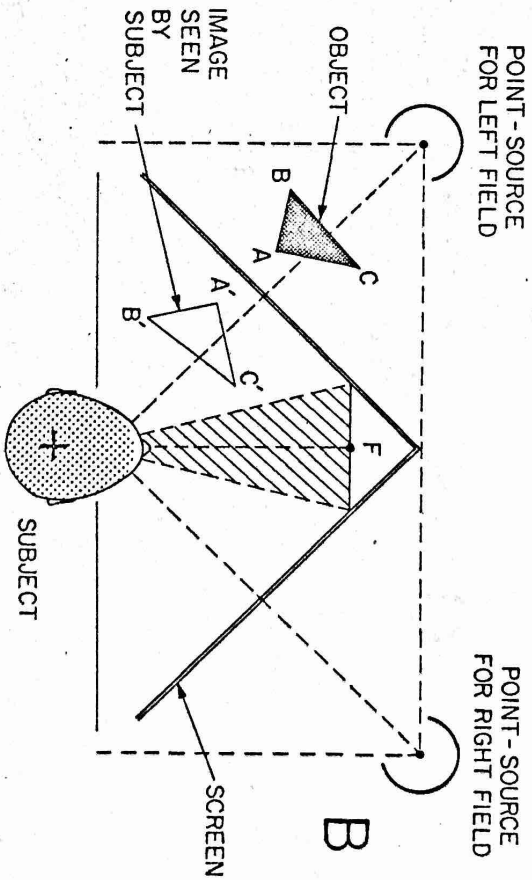
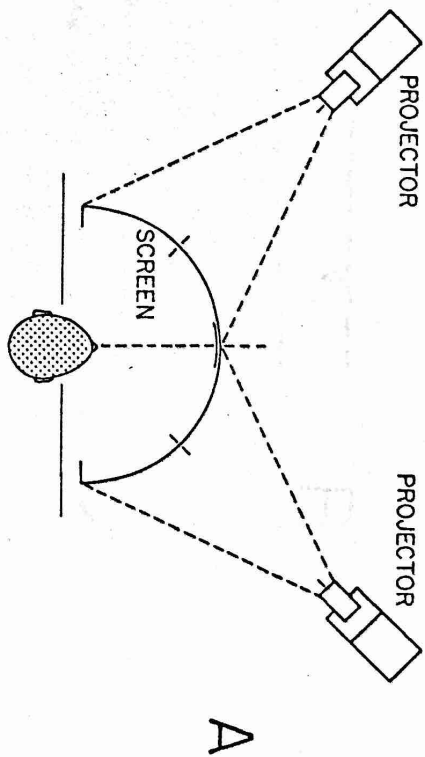
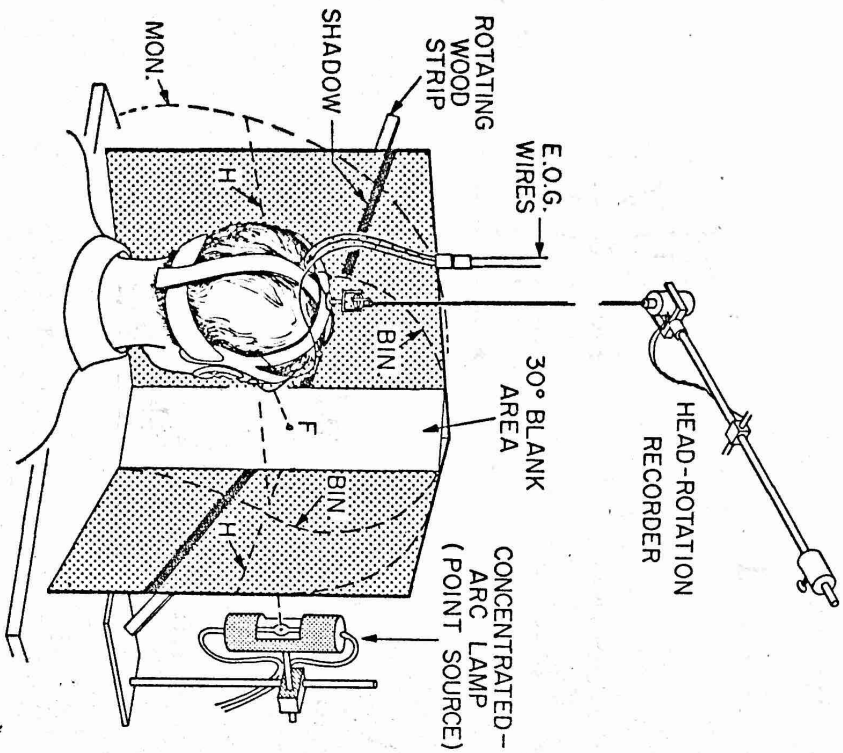


Fig. 1.

OK. I enclose the negative + 1 print.